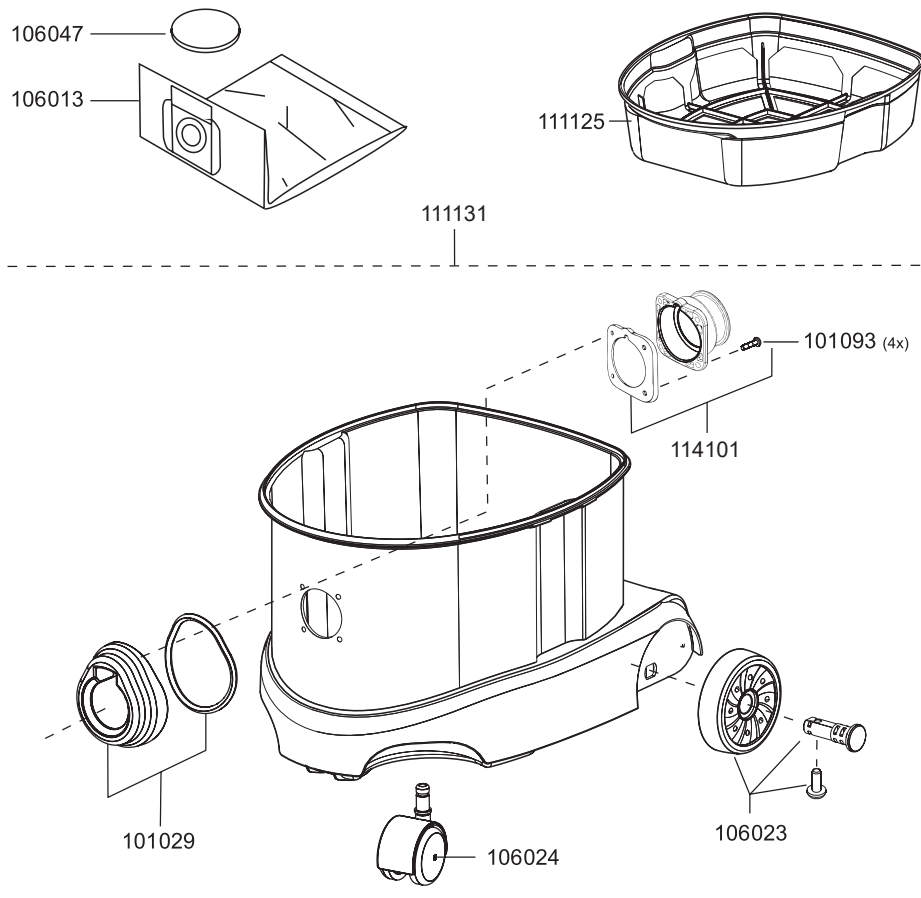


T11 EVO

item no. description

spare parts dry vacuum T11 EVO

| | |
|--------|-----------------------------------|
| 106016 | switch, electrical |
| 106018 | latch, red |
| 109012 | spring for key button |
| 109018 | switch housing |
| 109050 | switch for performance regulation |
| 111103 | key button |
| 111106 | cover inside |
| 111113 | filter sponge, motor |
| 111114 | base plate |
| 111115 | seal, base plate |
| 111121 | plug fixing |
| 111122 | socket |
| 111123 | square nut |
| 111128 | power cord, 10m, black, pluggable |
| 111145 | socket strip |
| 111168 | wire set, socket-switch |
| 111300 | motor head complete T11 |
| 111301 | cover |
| 111302 | exit air sponge |
| 111306 | wire set |
| 111324 | vacuum motor 700 Watt |
| 112103 | cable hook set |
| 114119 | screw M5x40 |



T11 EVO

item no. description

spare parts dry vacuum T11 EVO

| | |
|--------|----------------------------------|
| 101023 | crevice nozzle, Ø-32, 220mm |
| 101029 | coupling housing set |
| 101093 | screw coupling housing |
| 106013 | fleece filter bag |
| 106023 | back wheel |
| 106024 | castor, Ø-50 |
| 106026 | vacuum tube, Ø-32, aluminium |
| 106028 | upholstery nozzle, Ø-32, 115mm |
| 106035 | hose connector for container D32 |
| 106047 | motor fleece filter |
| 111125 | filter basket |
| 111131 | container complete |
| 114101 | adapter for fleece filter bag |
| 114113 | vacuum hose, D32, 2,5m |
| 114114 | combi nozzle, D32, 280 mm |

accessory dry vacuum T11EVO

| | |
|--------|---|
| 106013 | fleece filter bag (10pcs.) |
| 106014 | fleece filter bag (250pcs.) |
| 106044 | vacuum hose per meter, Ø-32 |
| 106061 | fleece filter bag HEPA 13 (PU=10pcs.) |
| 109111 | vacuum hose, D32, 3m, antistatic |
| 111133 | telescopic vacuum tube, Ø-32, stainless steel |
| 111159 | power cord, 15m, black, pluggable |
| 111172 | power cord, 15m, red, pluggable |
| 101104 | set of brush strips 360mm for 111207 (horse hair) |
| 117148 | handle with hose connector D32 |

